

FEATURES

- Ultralow noise figure: 2.5 dB in maximum gain UHF (470 MHz ~ 806 MHz) for ISDB-T in Japan and Brazil**
- Fully compatible with ISDB-T (one segment only)**
- Operating dynamic range: -99.5 dBm to +10 dBm**
- Ultralow power consumption: 76 mW**
- Supply voltage: 1.8 V core and 1.8 V ~ 3.3 V I/O**
- On-chip LDO option for 1.2 V power supply**
- On-chip power-on reset**
- Ultrasmall WLCSP package: 2.14 mm × 2.09 mm**
- On-chip low phase noise and wide frequency range VCO**
- On-chip bandwidth-adjustable band-pass filter**
- Integrated IF PGA for direct connection to digital demodulators**
- Noise/linearity optimization through internal RF RSSI and the IF AGC and RF AGC loops**
- Reference clock output for demodulator**
- Adjustable take-over points (TOP)**
- I²C serial bus interface**
- RoHS-compliant WLCSP package**

APPLICATIONS

ISDB-T (one-segment) digital TV for mobile phone
Low power portable TV, PDA, PMP, car navigation, and USB applications

GENERAL DESCRIPTION

The ADMTV201 is a highly integrated, CMOS single-chip, low IF, single-conversion tuner IC for digital mobile TV. It has a single RF input for UHF (470 MHz ~ 806 MHz). It supports one segment of the ISDB-T standard and includes two UHF low noise amplifiers (LNAs), an RF programmable gain amplifier (RF PGA), a downconversion mixer, a complex band-pass filter (CBPF), an IF PGA, a voltage controlled oscillator (VCO), and a fractional-N phase-locked loop (PLL).

The RF PGA is controlled by an internal RF automatic gain control (RF AGC) loop, and the IF PGA is controlled by a demodulator. The PGAs provide >120 dB of gain control range.

The ADMTV201 consumes ultralow power in comparison to conventional tuners. It is appropriate for portable applications that require low power consumption and includes an industry-standard I²C[®] serial bus interface. The primary application of the ADMTV201 is the portable terrestrial TV receiver, such as the mobile TV phone.

For more information about the ADMTV201, email Analog Devices, Inc., at Mobile_TV_support@analog.com.

Rev. Sp0

Information furnished by Analog Devices is believed to be accurate and reliable. However, no responsibility is assumed by Analog Devices for its use, nor for any infringements of patents or other rights of third parties that may result from its use. Specifications subject to change without notice. No license is granted by implication or otherwise under any patent or patent rights of Analog Devices. Trademarks and registered trademarks are the property of their respective owners.

FUNCTIONAL BLOCK DIAGRAM

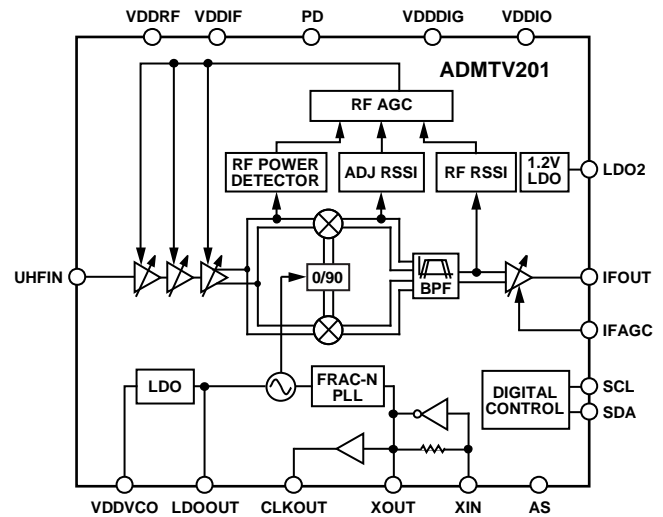


Figure 1.

07594-001

PRODUCT HIGHLIGHTS

1. Ultralow Noise: 2.5 dB Maximum Gain.
2. UHF Frequency Range: 470 MHz ~ 806 MHz for the ISDB-T UHF Band in Japan and Brazil.
3. Ultralow Power Consumption: 76 mW.
4. Smart Power Control (SPC) for Dynamic Power Savings.
5. On-Chip LDO Option for 1.2 V Power Supply.
6. Compact WLCSP Package. The ADMTV201 is available in a 2.14 mm × 2.09 mm package, with a maximum height of 0.35 mm.

NOTES

Purchase of licensed I²C components of Analog Devices or one of its sublicensed Associated Companies conveys a license for the purchaser under the Philips I²C Patent Rights to use these components in an I²C system, provided that the system conforms to the I²C Standard Specification as defined by Philips.